

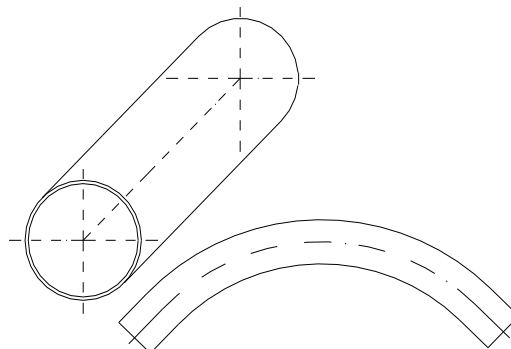
KURO

Information for invitation to tender

Product:

PC/ABS Forwarding Tube / Bend – halogenfree

- manufactured according to DIN 6660
- rated non-toxic with regard to the acute inhalation toxicity
- fire classification **B-s1-d0**
*according to DIN EN 13501-1:2010-01



Text for Invitation to tender:

Pos:

PC/ABS Forwarding Tube 108 x 4.0 x 5000 mm
 colour: light grey (according to RAL 7035)
 material: PC/ABS Blend – halogenfree
 * manufactured according to DIN 6660
 * rated non-toxic with regard to the acute inhalation toxicity
 * fire classification **B-s1-d0**
 (according to DIN EN 13501-1:2010-01)
 * connection with wide band hose clamps
 System KURO or equal (www.kuro-kunststoffe.com)

Quantity: m Price/Unit: Price total:

Pos:

PC/ABS Forwarding Bend 108 x 4.0 ; R = 550 mm
 colour: light grey (according to RAL 7035)
 material: PC/ABS Blend – halogenfree
 * manufactured according to DIN 6660
 * rated non-toxic with regard to the acute inhalation toxicity
 * fire classification **B-s1-d0**
 (according to DIN EN 13501-1:2010-01)
 * connection with wide band hose clamps
 System KURO or equal (www.kuro-kunststoffe.com)

Quantity: pc Price/Unit: Price total:

Pos:
 PC/ABS Forwarding Bend 108 x 4.0 ; R = 650 mm
 colour: light grey (according to RAL 7035)
 material: PC/ABS Blend – halogenfree
 * manufactured according to DIN 6660
 * rated non-toxic with regard to the acute inhalation toxicity
 * fire classification B-s1-d0
 (according to DIN EN 13501-1:2010-01)
 * connection with wide band hose clamps
 System KURO or equal (www.kuro-kunststoffe.com)

Quantity: pc Price/Unit: Price total:

Pos:
 PC/ABS Forwarding Bend 108 x 4.0 ; R = 800 mm
 colour: light grey (according to RAL 7035)
 material: PC/ABS Blend – halogenfree
 * manufactured according to DIN 6660
 * rated non-toxic with regard to the acute inhalation toxicity
 * fire classification **B-s1-d0**
 (according to DIN EN 13501-1:2010-01)
 * connection with wide band hose clamps
 System KURO or equal (www.kuro-kunststoffe.com)

Quantity: pc Price/Unit: Price total:

Pos:
 PC/ABS Forwarding Bend 108 x 4.0 ; R = 1000 mm
 colour: light grey (according to RAL 7035)
 material: PC/ABS Blend – halogenfree
 * manufactured according to DIN 6660
 * rated non-toxic with regard to the acute inhalation toxicity
 * fire classification **B-s1-d0**
 (according to DIN EN 13501-1:2010-01)
 * connection with wide band hose clamps
 System KURO or equal (www.kuro-kunststoffe.com)

Quantity: pc Price/Unit: Price total:

Pos:
 PC/ABS Forwarding Bend 108 x 4.0 ; R = 1250 mm
 colour: light grey (according to RAL 7035)
 material: PC/ABS Blend – halogenfree
 * manufactured according to DIN 6660
 * rated non-toxic with regard to the acute inhalation toxicity
 * fire classification B-s1-d0
 (according to DIN EN 13501-1:2010-01)
 * connection with wide band hose clamps
 System KURO or equal (www.kuro-kunststoffe.com)

Quantity: pc Price/Unit: Price total:

Pos:

PC/ABS Forwarding Bend 108 x 4.0 ; R = 1500 mm
colour: light grey (according to RAL 7035)
material: PC/ABS Blend – halogenfree
* manufactured according to DIN 6660
* rated non-toxic with regard to the acute
inhalation toxicity
* fire classification B-s1-d0
(according to DIN EN 13501-1:2010-01)
* connection with wide band hose clamps
System KURO or equal (www.kuro-kunststoffe.com)

Quantity: pc Price/Unit: Price total: